

Octagonal Telecom Pole

CBO4 Model

We know how cities work. Let's build connectivity together.

When you're in the business of connecting people through 4G and 5G technology, poles are only one part of your significant project scope. Our industry experts have aided in the creation of engineering, aesthetic, and design standards for lighting, telecommunications, and multi-use structures. Let our dedicated team expertly guide you through the process and support your project delivery on time and on budget.

Features and Benefits

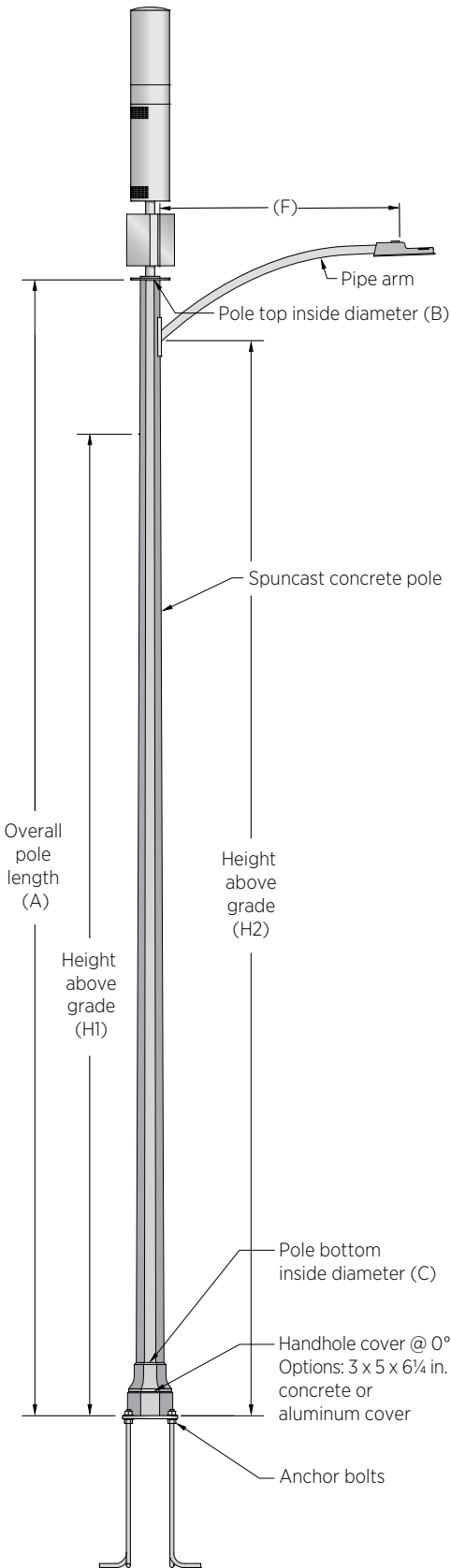
- Unique concrete manufacturing process that provides ultimate strength, durability, and beauty
- Virtually maintenance-free natural stone finish
- Integral baseplate fully pre-stressed to the structure providing additional strength and longevity
- Matches existing aesthetic like-for-like while providing additional wireway and structural capabilities
- Color options available to match municipal aesthetic requirements
- Amershield premium graffiti-resistant coating available to enhance the color, protect the surface, and increase the durability
- Installation and service available for quick stand up and support to minimize project time and cost
- Octagonal shape and decorative base allow for replacement of existing Ameron 4B1 structures or equivalents



Pole
Shape



CBO4 Octagonal Telecom Pole



Pole type data

Overall pole length (A)	Top I.D. (B)	Bottom I.D. (C)

Top mount equipment data

Diameter (D)	Height (E)	Weight

Side mount equipment data and other accessories

Quantity	Height (A.G) (H1)	Width	Weight	Orientation	EPA (sq. ft.)

Arm data

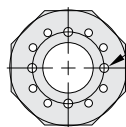
Quantity	Height (A.G) (H2)	Length (F)	Orientation

Extra handhole(s)

Quantity	Height (A.G)	Orientation

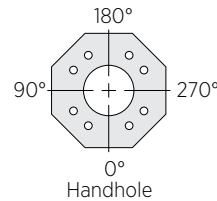
Additional specifications available. Contact Ameron for more information.

Pole top coupling



(4)½ in. -13 UNC coupling @ 3¼ in. diameter bolt circle

Pole orientation



Submit