



# Durability with a classic touch.

Available in  
base plate and  
embedded styles.

## Features and Benefits

- Prestressed steel and highest quality concrete are centrifugally cast for ultimate strength and long-term durability
- Natural stone and terrazzo aggregates maintain a like new appearance with virtually no maintenance
- Conforms to applicable sections of ACI, AASHTO, ASTM and PCI standards
- Exclusive 10-year warranty

## Colors and Finishes

A wide range of standard, pre-formulated and custom colors are available. The concrete shafts are lightly blasted to expose the texture and beauty of the natural stone. See separate Aggregates and Finishes sheet for details. We offer Amerishield™, a premium graffiti-resistant coating, as well as other durable sealers and protectants that further enhance colors, protect the concrete surface and aid in the removal of graffiti.

## Victorian IX Pole

This Victorian IX pole features turn of the century design reminiscent of the gaslight era that complements traditional and contemporary styles. The slightly tapered shaft incorporates aesthetic and architectural essence to this refined Victorian IX pole.

Our Victorian Series lighting poles combine the charm of yesterday with the technology of today. Available in a variety of configurations, colors and finishes, the Victorian Series provides architects and designers with many creative options.

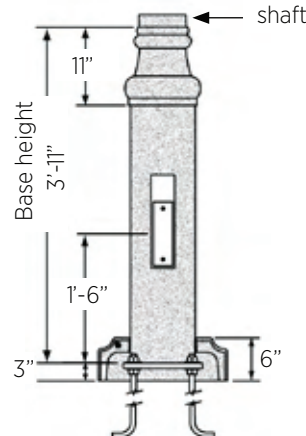
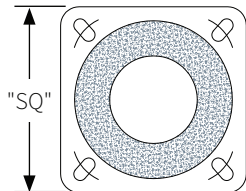
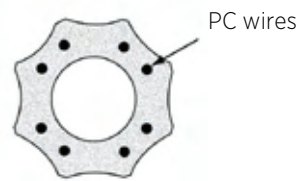
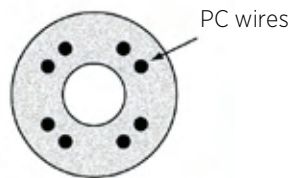
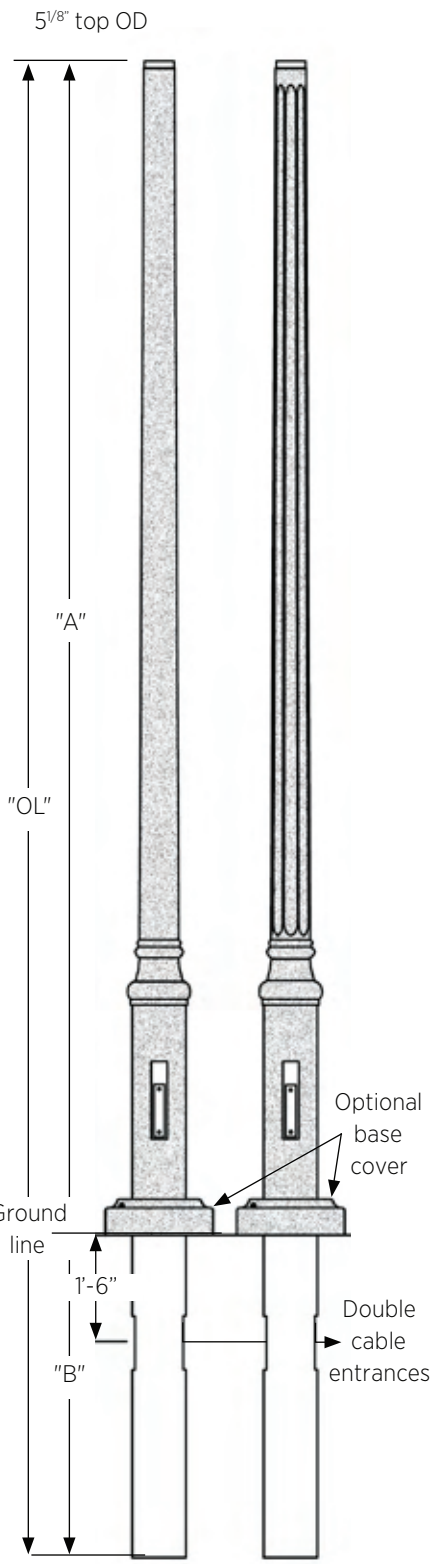
**Victorian IX - Base plate style information**

Catalog Number	Pole Height "A"	Base OD	Anchor Bolt	Bolt Circle	Base Plate (Sq)	Ultimate G.L. Moment	Pole Weight
VBZ03.2	10'-7"	9"	¾" x 24"x 4"	11" - 12"	11½"	15,000 ft lbs	300 lbs
VBZ03.8	12'-7"	9"	¾" x 24"x 4"	11" - 12"	11½"	15,000 ft lbs	330 lbs
VBZ05	16'-7"	9"	¾" x 24"x 4"	11" - 12"	11½"	15,000 ft lbs	450 lbs
VBZR05*	16'-7"	9"	¾" x 24"x 4"	11" - 12"	11½"	15,000 ft lbs	410 lbs
VBZR06*	19'-7"	9"	1" x 36"x 4"	11" - 12"	11½"	22,500 ft lbs	650 lbs
VBZR07.5*	24'-7"	9"	1" x 36"x 4"	11" - 12"	11½"	22,500 ft lbs	850 lbs
VBZR09*	29'-6"	9"	1" x 36"x 4"	11" - 12"	11½"	22,500 ft lbs	1,050 lbs
VBZX09	29'-6"	9"	1" x 36"x 4"	11" - 12"	11½"	28,000 ft lbs	1,100 lbs

**Victorian IX - Embedded style information**

Catalog Number	Pole Height "A"	Base OD	Shaft OD	Embedded Depth "B"	Overall Length "OL"	Ultimate G.L. Moment	Pole Weight
VEZ03.2	10'-4"	9"	6.5"	4'-6"	14'-10"	15,000 ft lbs	490 lbs
VEZ03.8	12'-4"	9"	6.5"	4'-6"	16'-10"	15,000 ft lbs	520 lbs
VEZ05	16'-4"	9"	6.5"	4'-6"	20'-10"	15,000 ft lbs	700 lbs
VEZR05*	16'-4"	9"	6.5"	4'-6"	20'-10"	15,000 ft lbs	725 lbs
VEZR06*	19'-7"	9"	8"	5'-3"	24'-10"	22,500 ft lbs	800 lbs
VEZR07.5*	24'-7"	9"	8"	5'-3"	29'-10"	22,500 ft lbs	1,000 lbs
VEZX09	29'-6"	9"	6"	5'-3"	34'-9"	22,500 ft lbs	1,300 lbs
VEZR09*	29'-6"	9"	8"	5'-3"	34'-9"	28,000 ft lbs	1,400 lbs

\*VBZR & VEZR poles - upper shaft is round tapered



Shaft cross section detail (Eight flutes)

Base plate

Elevation See recommended "capping detail"

**Specifications** - Use Centrecon specifications

**Colors and finishes** - See Centrecon color selection guide

**Luminaire mounting** - See mounting options section for more information

**Anti-graffiti and sealer** - Optional coatings are available for added protection